

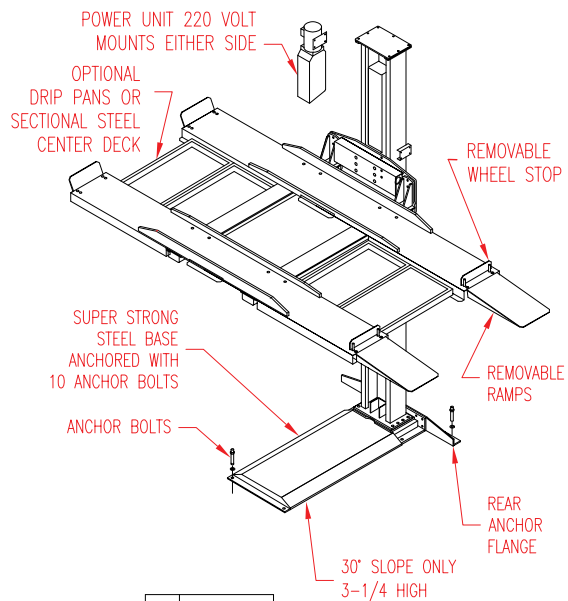
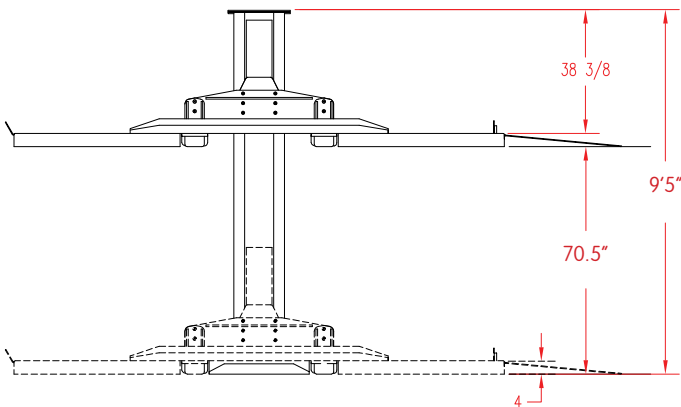
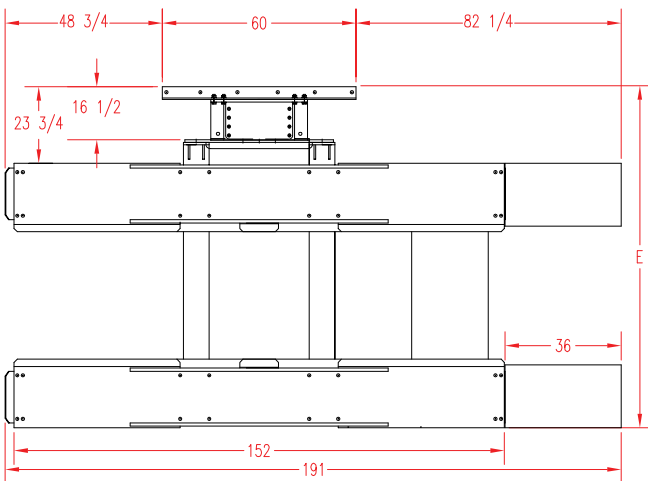


# ES-4500

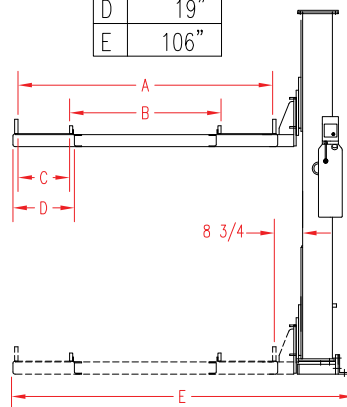
## 4,500 LBS. SINGLE POST LIFT SURFACE MOUNTED

**1-866-341-LIFT**  
5 4 3 8

**www.uslifts4less.com**  
14760 Creed Rd., Diamond, OH 44412



A	79"
B	47"
C	16"
D	19"
E	106"



### SPECIFICATIONS

- MAX CAPACITY.....4500lb
- OVERALL LENGTH.....15'-11"
- TRACK LENGTH.....12'-8"
- MAXIMUM WHEELBASE.....130"
- MAX HEIGHT CLEAR.....70.5"
- COLUMN HEIGHT.....9'-5"
- SPEED OF RISE.....60 SEC
- MECHANICAL SAFETY LOCK
- 208-230 V SINGLE PHASE POWER UNIT
- FOUNDATION REQUIRED
- CONCRETE: 3000 PSI, 4" THICK
- REINFORCED W/ STEEL BAR, MESH